

FILE: \\Jobsturf\Jobsdata\72405.00 Napaskiak Replacement School\00 CADD\02 Figures\03 Permitting\CORP\CORP Vicinity Map .dwg

U.S. ARMY CORPS OF ENGINEERS ALASKA DISTRICT
 2204 3RD STREET
 JBER, ALASKA 99506-0898

AGENT:
 CRW ENGINEERING GROUP, LLC
 3940 ARCTIC BLVD. SUITE 300
 ANCHORAGE, AK 99503

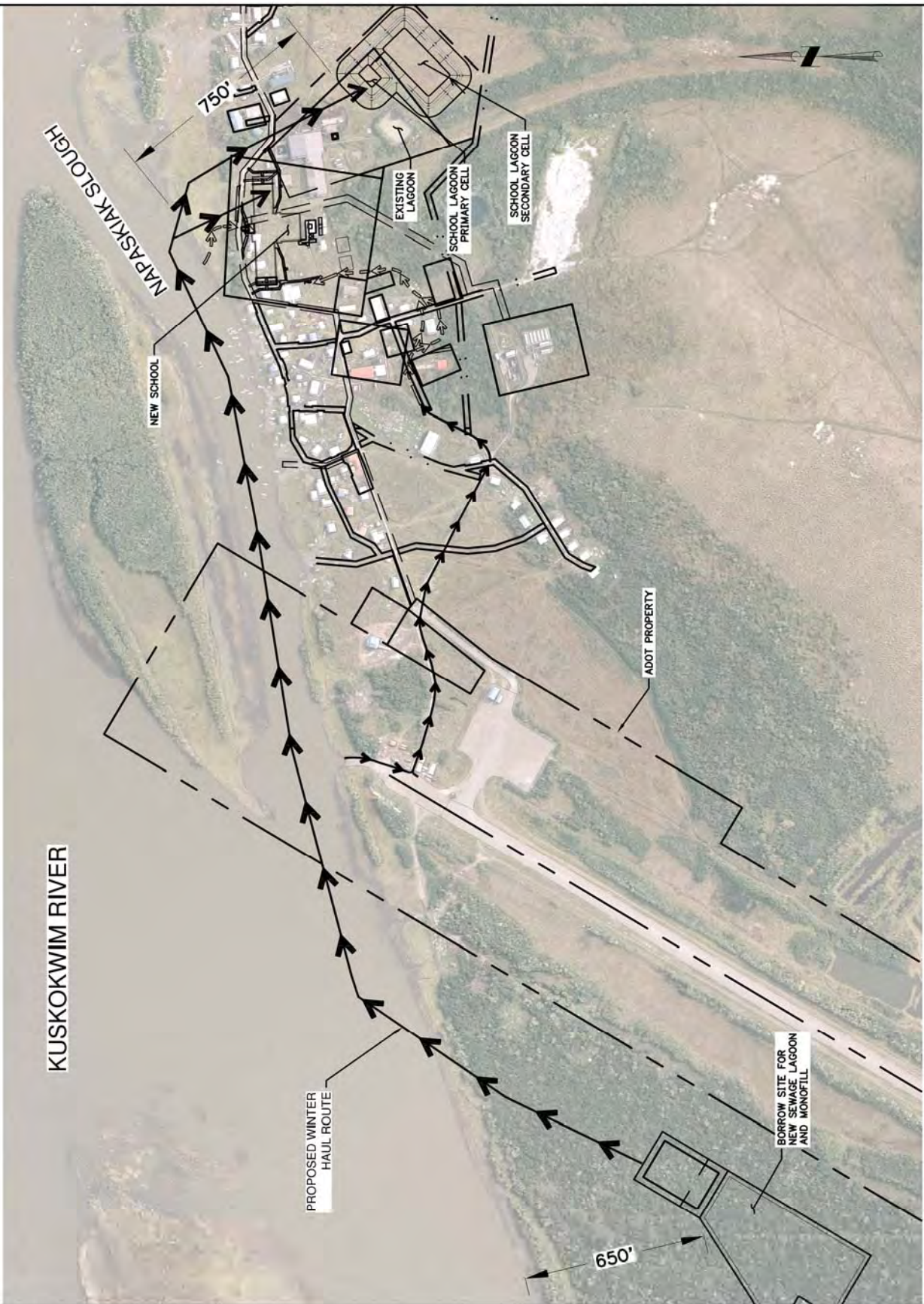
NAPASKIAK REPLACEMENT SCHOOL
 NAPASKIAK, ALASKA

VICINITY MAP

LOCATION: NAPASKIAK, AK
 SEWARD MERIDIAN T7N R71W
 SECTIONS 8, 9, AND 17

STATUS: PERMITTING
 DATE: 10/28/2013 FIGURE: 1

FILE: \\Jobstuf\Jobsdata\72405.00 Napaskiak Replacement School\00 CADD\02 Permitting\CORP\7240500 Site Overview.dwg



KUSKOKWIM RIVER

U.S. ARMY CORPS OF ENGINEERS ALASKA DISTRICT
2204 3RD STREET
JBER, ALASKA 99506-0898

AGENT:
CRW ENGINEERING GROUP, LLC
3940 ARCTIC BLVD. SUITE 300
ANCHORAGE, AK 99503

NAPASKIAK REPLACEMENT SCHOOL NAPASKIAK, ALASKA

PROJECT SITE

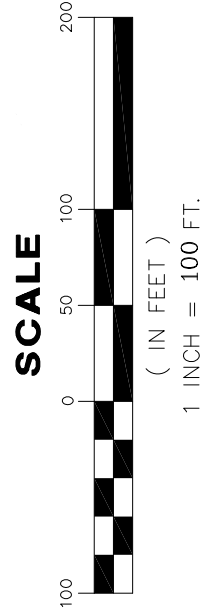
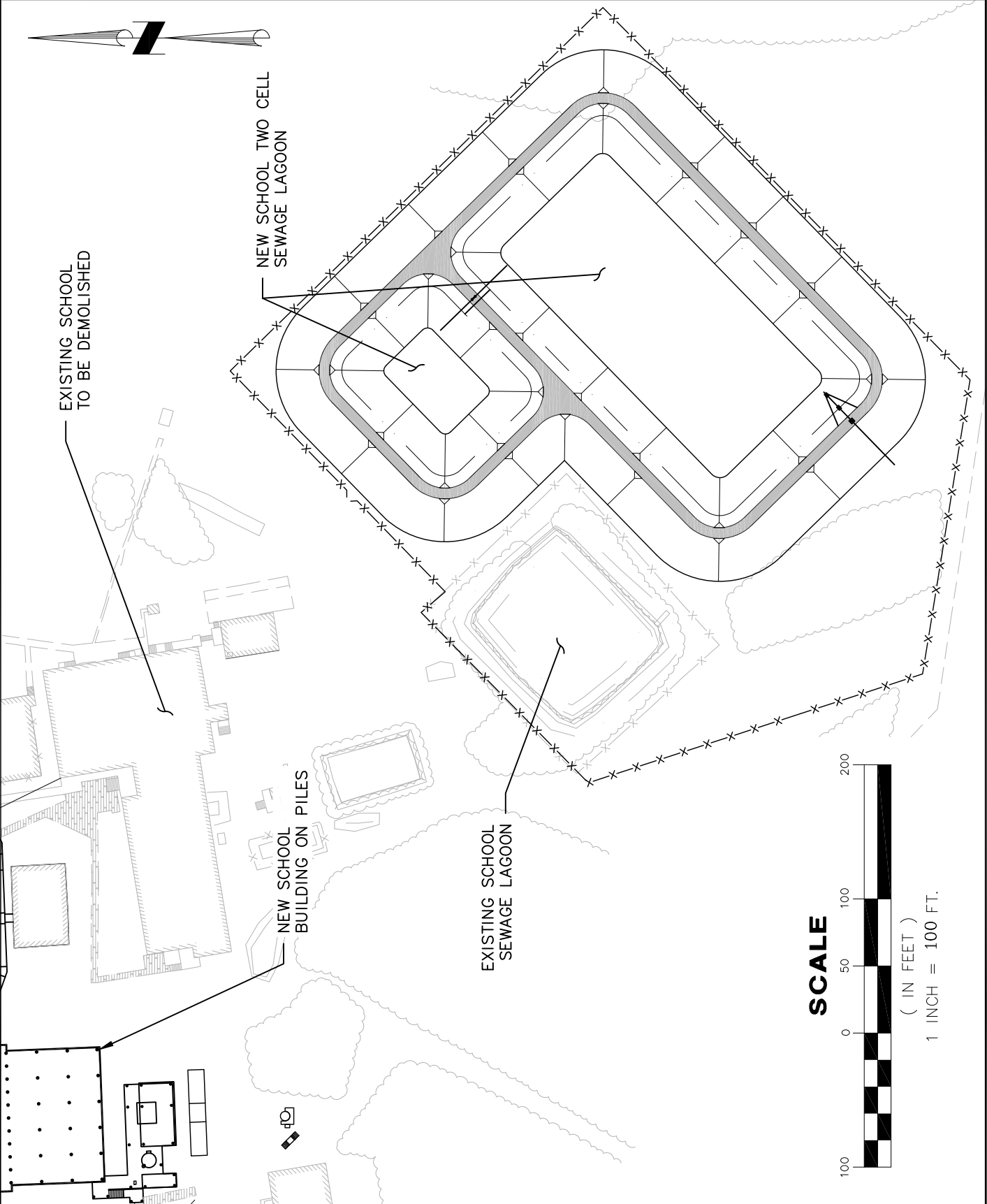
LOCATION: NAPASKIAK, AK
SEWARD MERIDIAN T7N R71W
SECTIONS 8, 9, AND 17

STATUS: PERMITTING

DATE: 01/03/2014

FIGURE: 2

FILE: \\Jobstuff\Jobsdata\72405.00 Napaskiak Replacement School\00 CADD\02 Figures\03 Permitting\CORP\School_Site.dwg



U.S. ARMY CORPS OF
ENGINEERS ALASKA DISTRICT
2204 3RD STREET
JBER, ALASKA 99506-0898

AGENT:
CRW ENGINEERING GROUP, LLC
3940 ARCTIC BLVD. SUITE 300
ANCHORAGE, AK 99503

NAPASKIAK REPLACEMENT SCHOOL
NAPASKIAK, ALASKA

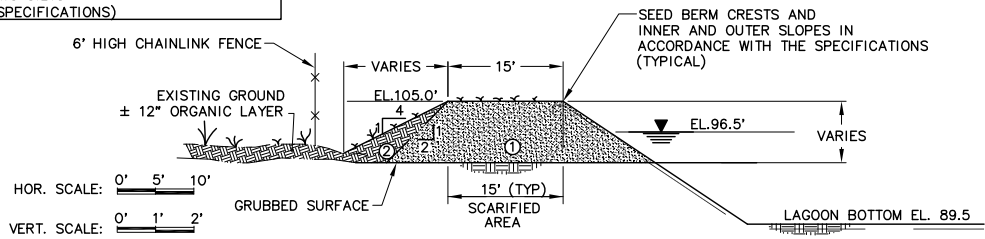
**PROPOSED SCHOOL SEWAGE LAGOON
AND EXISTING SCHOOL SEWAGE LAGOON**

LOCATION: NAPASKIAK, AK
SEWARD MERIDIAN T7N R71W
SECTIONS 8, 9, AND 17

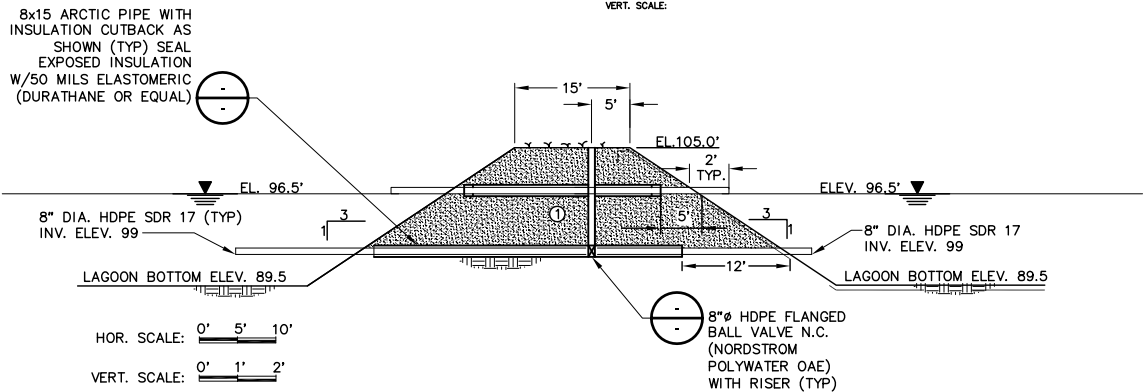
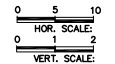
STATUS: PERMITTING
DATE: 10/28/2013 FIGURE: **3**

FILE: \\Jobstuff\Jobsdata\72405.00 Napaskiak Replacement School\00 CADD\02 Figures\03 Permitting\CORP\Typical Sections.dwg

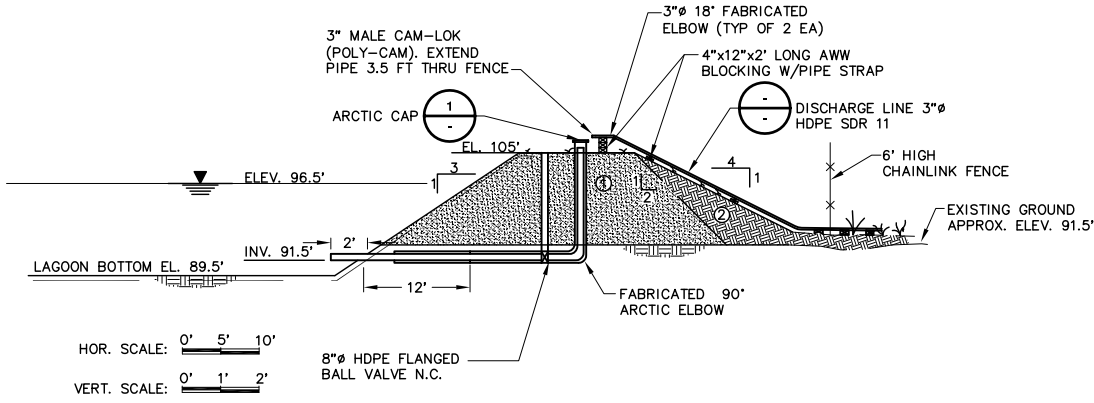
MATERIAL TYPES	
TYPE	DESCRIPTION
①	DIKE CORE CONSTRUCTED FROM IMPORTED FILL (SEE SPECIFICATIONS)
②	OUTER DIKE BERMS PARTIALLY CONSTRUCTED FROM GRUBBED ORGANIC SILTS (SEE SPECIFICATIONS)



TYPICAL BERM SECTION A



TYPICAL BERM SECTION B
SHOWING WASTEWATER TRANSFER PIPING



TYPICAL BERM SECTION C
SHOWING WASTEWATER PUMPING SUMP

U.S. ARMY CORPS OF ENGINEERS ALASKA DISTRICT
2204 3RD STREET
JBER, ALASKA 99506-0898

AGENT:
CRW ENGINEERING GROUP, LLC
3940 ARCTIC BLVD. SUITE 300
ANCHORAGE, AK 99503

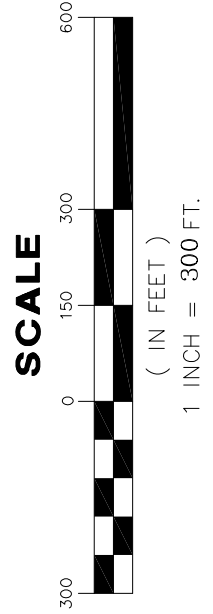
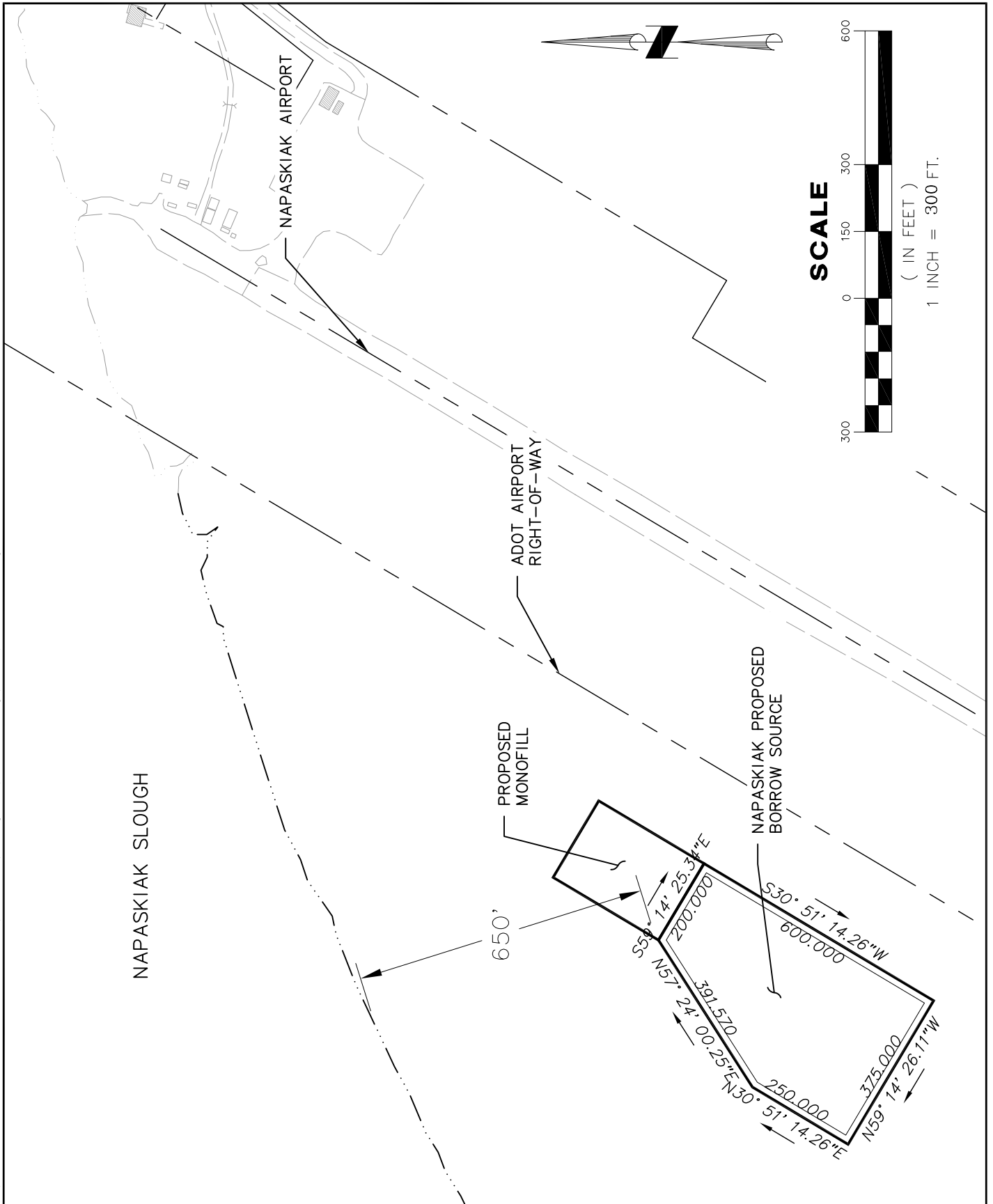
NAPASKIAK REPLACEMENT SCHOOL
NAPASKIAK, ALASKA

SEWAGE LAGOON TYPICAL SECTIONS

LOCATION: NAPASKIAK, AK
SEWARD MERIDIAN T7N R71W
SECTIONS 8, 9, AND 17

STATUS: PERMITTING
DATE: 10/28/2013 | FIGURE: 4

FILE: \\Jobstuff\Jobsdata\72405.00 Napaskiak Replacement School\00 CADD\02 Figures\03 Permitting\CORP\Borrow Site.dwg



U.S. ARMY CORPS OF ENGINEERS ALASKA DISTRICT
2204 3RD STREET
JBER, ALASKA 99506-0898

AGENT:
CRW ENGINEERING GROUP, LLC
3940 ARCTIC BLVD. SUITE 300
ANCHORAGE, AK 99503

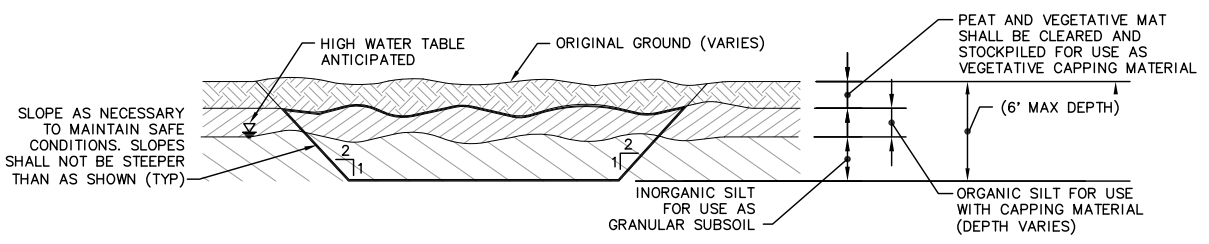
NAPASKIAK REPLACEMENT SCHOOL
NAPASKIAK, ALASKA

**BORROW SOURCE
SITE PLAN**

LOCATION: NAPASKIAK, AK
SEWARD MERIDIAN T7N R71W
SECTIONS 8, 9, AND 17

STATUS: PERMITTING
DATE: 10/28/2013 FIGURE: **5**

FILE: \\Jobstuff\Jobsdata\72405.00 Napaskiak Replacement School\00 CADD\02 Figures\03 Permitting\CORP\Typical Sections.dwg



TYPICAL BORROW SOURCE SECTION

U.S. ARMY CORPS OF ENGINEERS ALASKA DISTRICT
 2204 3RD STREET
 JBER, ALASKA 99506-0898

AGENT:
 CRW ENGINEERING GROUP, LLC
 3940 ARCTIC BLVD. SUITE 300
 ANCHORAGE, AK 99503

NAPASKIAK REPLACEMENT SCHOOL
 NAPASKIAK, ALASKA

TYPICAL BORROW SOURCE SECTION

LOCATION: NAPASKIAK, AK
 SEWARD MERIDIAN T7N R71W
 SECTIONS 8, 9, AND 17

STATUS: PERMITTING
 DATE: 10/28/2013 | FIGURE: 6